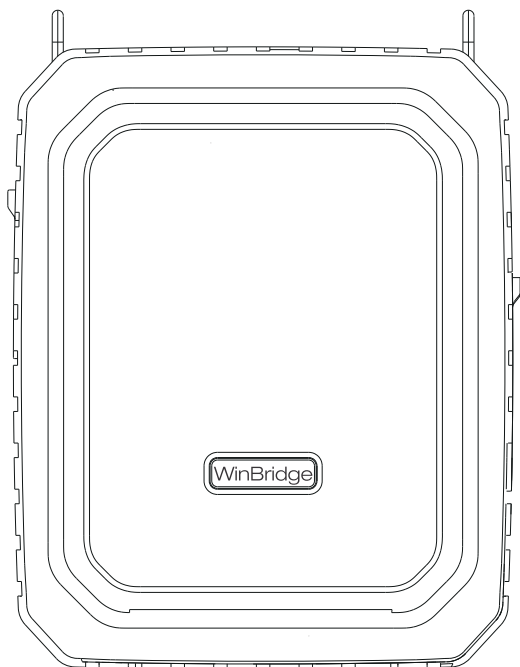


Natural Voice

Voice Amplifier User Manual



WB-M800

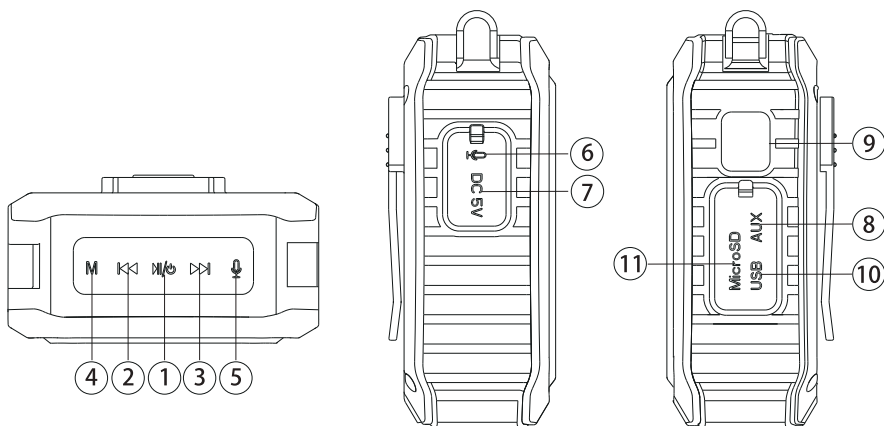
Features:

1. Two-color injection molding, waterproof;
2. WinBridge acoustic amplification electroacoustic system with loud and clear voice;
3. Equipped with Bluetooth 4.2 cloud control to support for synchronous teaching material through internet;
4. High-capacity 3.7V 4400mAh lithium-ion battery;
5. Supports TF card & USB flash disk;
6. Supports power bank function for emergency charging.

Specification:

Max output power: peak 18W	Charging voltage:DC 5V 1A
Frequency response: 80Hz-18KHz	Amplify time: 10-12 hours
Output Impedance: 4Ω	Music-play time: 8-10 hours
Work temperature: -10℃-45℃	Charging time: 3-5 hours

Function Illustration:



① **Power switch/play & pause:**

A: Press the button for 3 seconds to turn on/off.

B: In music playing mode, short press it to pause, short press it again to play.

② **Previous/Volume-:**

In music playing mode, short press for previous, long press for volume-.

③ **Next/Volume+:**

In music playing mode, short press for next, long press for volume+.

④ **Mode Key:**

Short press "M" to select a working mode: Bluetooth, USB flash disk, TF card, AUX,UHF(only suitable for UHF version).

⑤ **Recording**

⑥ **MIC in socket** (There is no wired MIC in the standard package of wireless version.)

⑦ **DC 5V charging port**

⑧ **AUX input**

⑨ **LED screen** (Only displays the battery level.)

⑩ **USB flash disk slot**

A: to insert and play USB flash disk;

B: to work as a power bank.

⑪ TF card slot

How to Use:

Multimedia UHF wireless amplification (just suitable for UHF wireless version)

After powered on, it will be UHF Wireless amplification mode by default automatically.

Notes: If there is no sound from the amplifier, please pair UHF frequency point manually according to the following steps.

1. Pair the UHF frequency point manually:

Turn on the amplifier, press and hold "M" key for 5s to enter into UHF pairing status, the screen will display "UHF". Then turn on the wireless microphone and press and hold "+". It's paired successfully with voice prompt "UHF is connected".

(Note: Suitable when the wireless microphone is no sound, damaged, replaced or there are more than one set UHF voice amplifier being used in a not big room and to avoid mutual interference.)

Notes:

(1) After paired wireless UHF MIC successfully, please don't press and hold the "volume+" cause it will enter into the status of pairing the UHF frequency point again and lead to the device can't amplify normally.

(2) It is no need to pair the wireless MIC and voice amplifier

manually at the first time of usage as they have been paired successfully by default.

2. TF card/USB flash disk play

Insert the TF card/USB flash disk correctly to play the audio files in them.

Please press "M" key to switch TF card/USB flash disk play mode when both have been inserted in. Short press "⏮/⏭" to play/pause.

3. Loop

In the MP3 playing mode,press and hold "M" key 3s to single song loop; press and hold "M" key 3s again for all loop.

Notes: Speaker will be "all loop" by default after powered on next time.

4. Recording

Supports wired MIC recording: Make sure the USB flash disk or TF card has been inserted, and then plug wired MIC into "MIC" port, short press REC key to record; after recorded, short press REC again to play the latest recording file.

Play recording: long press REC key in the MP3 playing mode.

5. AUX input

Please connect the amplifier and external audio devices

(computer, phone, mp3, mp4, etc...)with AXU cable to amplify directly.

6. Charge the speaker

Please turn the speaker off and charge it timely when It's low battery with voice prompt "Low battery, please charge". Please use DC 5V power charger. The number on the screen will increase along with the growing power level.

Notes:

- 1) We suggest fully recharges it before fist using;
- 2) All functions will stop when charging;
- 3) Please unplug the charger as soon as it is fully charged.

7. Power bank

Please connect the speakey and mobile phone with the standard charging cable to charge.

8. Bluetooth Instruction

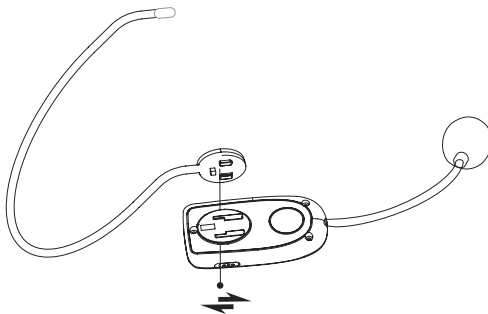
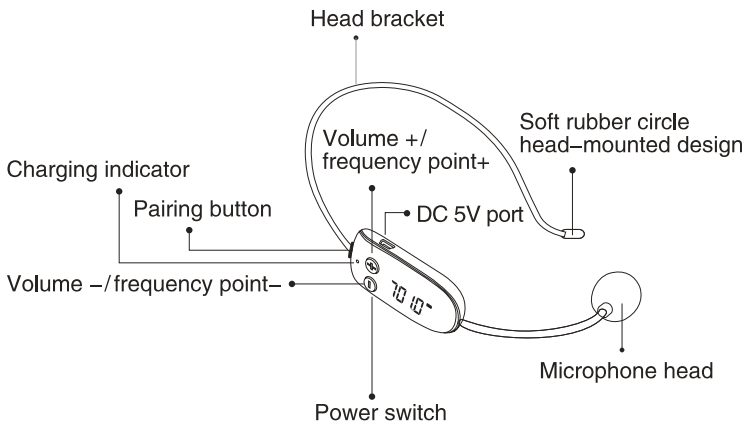
Please pair with your Bluetooth device as follows:

- 1). Switch on the amplifier and enter into or switch to Bluetooth mode.
- 2). Enter into "Settings" of mobile and turn on Bluetooth function. Then please search "WB-M800" and connect, and successfully connected with voice prompt "Bluetooth is connected".

3). After paired successfully, the amplifier could play teaching materials, training materials, and audio files in the phone.
(Wireless MIC can work at the same time.)

UHF wireless microphone (only for UHF wireless version)

Function Illustration (wireless MIC):



Detachable head-mounted rack

Charge the Wireless MIC:

It's low battery with the blue indicator blinks. Please turn it off and charge it with mini-USB cable which has connected to DC 5V charger.

When charging, the red indicator light will be on all the time; it will go out after fully charged.

Notes:


- 1). Please unplug the charger as soon as It's fully charged.
- 2). When in using, press and hold "+" will disconnect UHF with the speaker; to reconnect it, please manually pair as stated in the "Pair the UHF frequency manually" section; In UHF amplification mode, short press "+/-" to volume up / down.

Trouble shooting:

1. No sound from speaker after powered on:

The indicator is not being on: Low battery, please charge.

The indicator light is being on: please repair manually as previous paragraph.

NO response after any operation: please press and hold "  " for 10s to reset the speaker and power it on again.

2. Repair the UHF frequency point again:

There are more than one set UHF voice amplifier being used in a not big room and to avoid mutual interference;

Change new wireless MIC.

3. Screaming:

Please do not point the MIC to the speaker; please keep the distance between speaker and MIC longer than 60cm.

In a not big room, please turn down the volume.

Caution:

- 1) Aim at the hand-held MIC capsule when speaking and keep the distance between amplifier and MIC longer than 60cm to avoid howling.
- 2) Don't insert or plug the connector frequently to avoid the looseness of socket or the bad connect. Please distinguish MIC and AUX plug.
- 3) Recharge timely when it's low battery.
- 4) The amplifier should be kept in dry and ventilated area, rain, water, thump should be avoided.
- 5) Original accessories are suggested if they need to be replaced.
- 6) Non-professional technician is not allowed to dismantle or repair the product; please contact the local agent if there is any question or service requirement.

Package includes:

- 1 * Wireless Voice Amplifier
- 1 * UHF Headset Microphone
- 2* Charging Cord
- 1 * 3.5mm Audio Cable
- 1 * DC 5V Charger
- 1*Adjustable waistband Strap
- 1*User Manual

WinBridge Guarantee:

100%WinBridge Guaranteed Product Satisfaction.

We promise 1 year warranty.

If you have any questions, please feel free to contact us, we will try our best to provide you the best service.